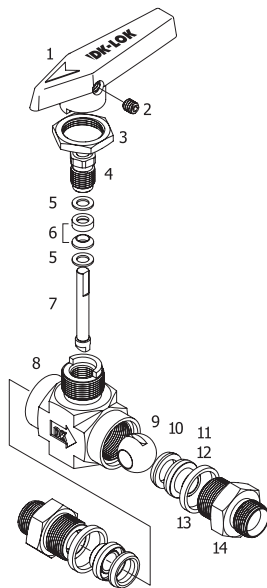
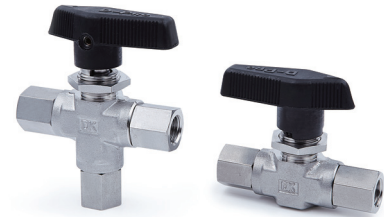


**Features**

- High flow in a compact design.
- High pressure capacity designed for blow-out proof with internally loaded ball stem.
- Micro-finished ball provides a positive seal.
- 90 degree actuation for 2-way and 180 degree actuation for 3-way ball valves.
- Panel mounting as standard.
- Chevron stem seal, adjustable with the handle disassembled.
- Handle indicates flow direction.
- Low operating torques and positive handle stops.
- Optional pneumatic actuation.



**Material of Construction**

Components	Valve Body Material	Stainless Steel Grade/ASTM Specification
1. Handle		Nylon with brass insert
2. Set Screw		Stainless steel
3. Panel Nut		
4. Packing bolt*		SS316/A276
5. Upper / Lower Gland		
6. Stem Chevron Packing		PTFE/D1710 type 1, Grade 1, Class B
7. Stem		SS316/A276
8. Body		SS316/A182 Type F316
9. Ball		SS316/A276
10. Seat (2)		Standard PCTFE (Kel-F), optional PTFE, PEEK
11. Retainer (2)		SS316/A276
12. Retainer Seal (2)		PTFE/D1710 type 1, Grade 1, Class B
13. End Connector Seal (2)		
14. End Connector (2)		SS316/A276

\* Molybdenum disulfide with hydrocarbon coating  
 • Wetted parts and lubricants are listed in blue.  
 • Lubricant is Fluorinated-based.

**Operation and Packing Adjustment**

- VH86 valves are designed to control fluid in full open and closed position, using VH86 valves to throttle the flow may reduce the valve life.
- Stem packing can be adjustable with the handle disassembled. Tighten packing bolt clockwise to tighten the stem packing.
- Valves that have not been actuated for a period of time may have a higher initial actuation torque.
- If the valve system needs to be tested at higher pressure than the valve maximum pressure, the valve must be in open position during the test so as not to damage the valve seat.
- Optional Sour Gas Service applicable.

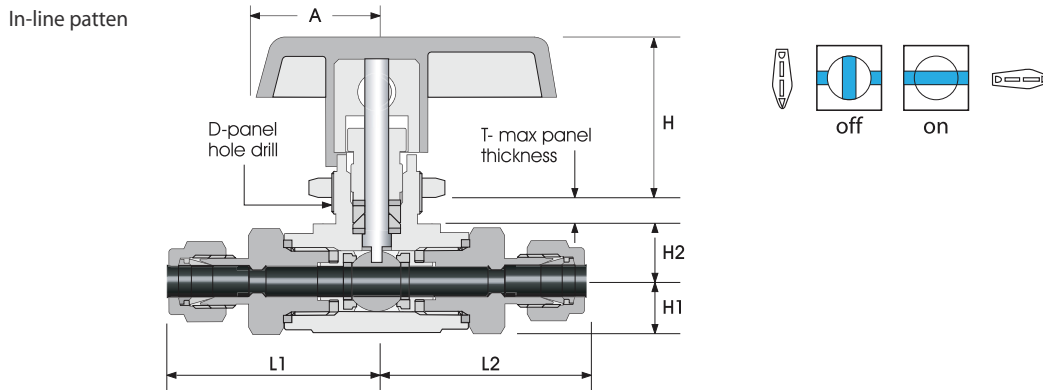
**Application**

VH86 series ball valve offers a safe and reliable performance in a wide range of onshore and offshore applications: Water, oil, gas, petrochemical in heavy duty applications.

**Factory Test, Cleaning and Packaging**

- Every valve is factory tested with nitrogen gas at 1,000 psig (68.9 bar) for leakage at seat to a maximum allowable leak rate of 0.1 SCCM. The packing is tested with nitrogen gas for no detectable leakage.
- Every valve is cleaned and packaged in accordance with DK cleaning standard DC-01.

**Bi-directional 2-way Ball Valves**



**Technical Data**

Valve Series	Sealing Materials			Pressure Rating @-27 to 37 °C (-20 to 100 °F)	Temperature Rating
	Seat	Stem Packing	Retainer / End Seal		
VH86A, VH86B, and VH86C series	PCTFE	PTFE	PTFE	6,000 psig (413 bar)	-30 to 180 °C (-22 to 356 °F)
	PEEK	PTFE	PTFE	6,000 psig (413 bar)	-54 to 230 °C (-65 to 446 °F)
	PTFE	PTFE	PTFE	1,500 psig (103 bar)	-30 to 176 °C (-22 to 349 °F)

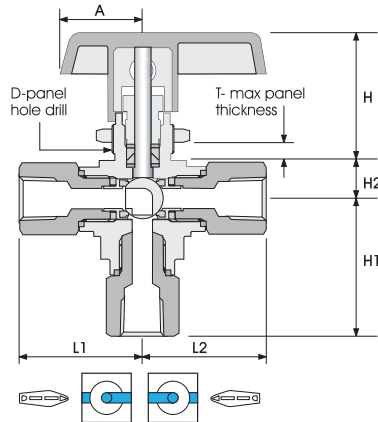
• PCTFE is standard seat material.

**Ordering Information and Dimensions**

Basic Ordering Number	End Connections		Orifice		Cv	Dimensions mm (in.)							
	Inlet	Outlet	mm	inch		L1	L2	H1	H2	H	A	D	T
VH86A-	D-1T- 1/16" DK-Lok		1.3	0.052	0.06	33.0(1.30)	33.0(1.30)	9.5 (0.37)	8.5 (0.33)	24.8 (0.98)	19.1 (0.75)	14.7 (0.58)	3.3 (0.13)
	D-2T- 1/8" DK-Lok		2.4	0.0945	0.21	34.5(1.36)	34.5(1.36)						
	F-2N- 1/8" Female NPT		4.2	0.165	0.43	27.2(1.07)	27.2(1.07)						
	M-2N- 1/8" Male NPT		4.2	0.165	0.43	30.0(1.18)	30.0(1.18)						
	D-4T- 1/4" DK-Lok		4.2	0.165	0.43	37.6(1.48)	37.6(1.48)						
	M-4N- 1/4" Male NPT		4.2	0.165	0.43	34.3(1.35)	34.3(1.35)						
	D-3M- 3mm DK-Lok		2.2	0.086	0.18	34.8(1.37)	34.8(1.37)						
VH86B-	D-2T- 1/8" DK-Lok		2.4	0.0945	0.26	41.9(1.65)	41.9(1.65)	10.7 (0.42)	11.9 (0.47)	38.9 (1.53)	25.4 (1.00)	19.6 (0.77)	6.4 (0.25)
	D-4T- 1/4" DK-Lok					44.2(1.74)	44.2(1.74)						
	MD-4N4T- 1/4" Male NPT / 1/4" DK-Lok		4.7	0.185	1.04	44.2(1.74)	41.1(1.62)						
	FD-4F4T- 1/4" Female NPT / 1/4" DK-Lok						38.4(1.51)						
	F-4N- 1/4" Female NPT					38.4(1.51)	38.4(1.51)						
	M-4N- 1/4" Male NPT					41.1(1.62)	41.1(1.62)						
	MF-4N- 1/4" Male NPT / 1/4" Female NPT					38.4(1.51)	41.1(1.62)						
	MD-4N6T- 1/4" Male NPT / 3/8" DK-Lok		6.4	0.252	2.34	45.7(1.8)	38.4(1.51)						
	FD-4N6T- 1/4" Female NPT / 3/8" DK-Lok						45.7(1.8)						
	D-6T- 3/8" DK-Lok					82.2(3.24)	82.2(3.24)						
	M-6N- 3/8" Male NPT					89.0(3.50)	89.0(3.50)						
	D-6M- 6 mm DK-Lok		4.7	0.185	1.04	90.4(3.56)	90.4(3.56)						
	D-8M- 8 mm DK-Lok		6.4	0.252	2.34	92.0(3.62)	92.0(3.62)						
	D-10M- 10 mm DK-Lok					99.0(3.90)	99.0(3.90)						
VH86C-	F-6N- 3/8" Female NPT		10.3	0.406	6.42	109.20(4.30)	17.5 (0.69)	17.8 (0.70)	44.2 (1.74)	38.1 (1.50)	22.9 (0.90)	9.7 (0.38)	
	F-8N- 1/2" Female NPT					118.8(4.68)							
	D-8T- 1/2" DK-Lok					112.8(4.44)							
	M-8N- 1/2" Male NPT					118.4(4.66)							
	D-12T- 3/4" DK-Lok					116.68(4.59)							
	D-12M- 12 mm DK-Lok					118.4(4.66)							
	D-16M- 16 mm DK-Lok												

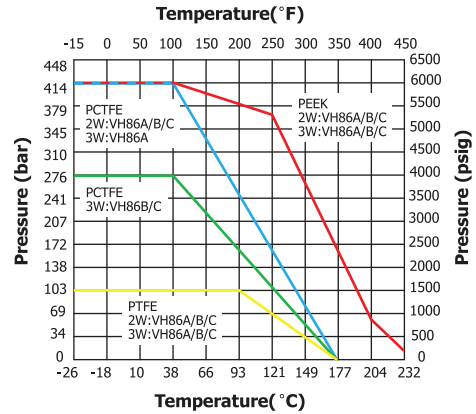
All dimensions shown are for reference only and are subject to change. Dimensions with DK-Lok nuts are in finger-tight position.

**3-way Diverter Ball Valves**



VH86 3-way Ball Valve is designed to switch media through the bottom port and direct it to out of two outlet ports.

**Pressure-Temperature Curve**



**Legend :** 2W:2-Way VH86 ball valves  
3W:3-Way VH86 ball valves

**Technical Data**

Valve Series	Sealing Materials			Pressure Rating @ -27 to 37 °C (-20 to 100 °F)	Temperature Rating °C (°F)
	Seat	Stem Packing	Retainer / End Seal		
VH86A-3B	PTFE	PTFE	PTFE	6,000 psig (413 bar)	-30 to 180 °C (-22 to 356 °F)
	PEEK	PTFE	PTFE	6,000 psig (413 bar)	-54 to 230 °C (-65 to 446 °F)
	PTFE	PTFE	PTFE	1,500 psig (103 bar)	-30 to 176 °C (-22 to 349 °F)
VH86B-3B VH86C-3B	PTFE	PTFE	PTFE	4,000 psig (276 bar)	-50 to 180 °C (-58 to 356 °F)
	PEEK	PTFE	PTFE	6,000 psig (413 bar)	-54 to 230 °C (-65 to 446 °F)
	PTFE	PTFE	PTFE	1,500 psig (103 bar)	-30 to 176 °C (-22 to 349 °F)

**Ordering Information and Dimensions**

Basic Ordering Number	End Connections	Orifice		Cv	Dimensions mm (in.)											
		mm	Inch		L1	L2	H1	H2	H	A	D	T				
VH86A-3B-	D-1T-	1/16" DK-Lok	1.3	0.052	0.06	33.0 (1.30)	33.0 (1.30)	35.3 (1.39)	8.4 (0.33)	24.8 (0.98)	19.1 (0.75)	14.7 (0.58)	3.3 (0.13)			
	D-2T-	1/8" DK-Lok	2.4	0.093	0.21	34.5 (1.36)	34.5 (1.36)	36.8 (1.45)								
	F-2N-	1/8" Female NPT	4.2	0.165	0.63	27.2 (1.07)	27.2 (1.07)	29.2 (1.15)								
	M-2N-	1/8" Male NPT	4.2	0.165	0.59	30.0 (1.18)	30.0 (1.18)	32.0 (1.26)								
	D-4T-	1/4" DK-Lok	4.2	0.165	0.63	37.6 (1.48)	37.6 (1.48)	39.6 (1.56)								
	M-4N-	1/4" Male NPT	4.2	0.165	0.59	34.3 (1.35)	34.3 (1.35)	36.3 (1.43)								
VH86B-3B-	D-2T-	1/8" DK-Lok	2.4	0.093	0.21	41.9 (1.65)	41.9 (1.65)	45.5 (1.79)	11.9 (0.47)	38.9 (1.53)	25.4 (1.00)	19.6 (0.77)	6.4 (0.25)			
	D-4T-	1/4" DK-Lok	4.7	0.187	0.70	44.2 (1.74)	44.2 (1.74)	47.8 (1.88)								
	F-4N-	1/4" Female NPT	5.0	0.196	0.87	38.4 (1.51)	38.4 (1.51)	41.9 (1.65)								
	DDM-T4N-*	1/4" DK-Lok, 1/4" Male NPT	4.7	0.187	0.70	44.2 (1.74)	44.2 (1.74)	47.8 (1.88)								
	M-4N-	1/4" Male NPT	5.0	0.196	0.87	41.1 (1.62)	41.1 (1.62)	44.7 (1.76)								
	D-6T-	3/8" DK-Lok				45.7 (1.8)	45.7 (1.8)	49.3 (1.94)								
	M-6N-	3/8" Male NPT	41.1 (1.62)	41.1 (1.62)	44.7 (1.76)											
	D-6M-	6 mm DK-Lok	4.7	0.187	0.70	44.5 (1.75)	44.5 (1.75)	47.8 (1.88)								
	D-8M-	8 mm DK-Lok	5.0	0.196	0.87	45.2 (1.78)	45.2 (1.78)	48.5 (1.91)								
	D-10M-	10 mm DK-Lok				46.0 (1.81)	46.0 (1.81)	49.5 (1.95)								
VH86C-3B-	F-6N-	3/8" Female NPT	10.3	0.406	3.62	49.5 (1.95)	49.5 (1.95)	58.2 (2.29)	17.8 (0.70)	44.2 (1.74)	38.1 (1.50)	22.9 (0.90)	9.7 (0.38)			
	F-8N-	1/2" Female NPT				54.6 (2.15)	54.6 (2.15)	63.2 (2.49)								
	D-8T-	1/2" DK-Lok				59.4 (2.34)	59.4 (2.34)	68.1 (2.68)								
	DDF-8T8F-*	1/2" DK-Lok, 1/2" Female NPT				59.4 (2.34)	59.4 (2.34)	63.2 (2.49)								
	M-8N-	1/2" Male NPT				56.4 (2.22)	56.4 (2.22)	65.8 (2.59)								
	D-12T-	3/4" DK-Lok				58.9 (2.32)	58.9 (2.32)	68.1 (2.68)								
	D-12M-	12 mm DK-Lok				9.5	0.375	3.46						58.9 (2.32)	58.9 (2.32)	67.8 (2.67)
	D-16M-	16 mm DK-Lok				10.3	0.406	3.62						59.2 (2.34)	59.2 (2.34)	65.5 (2.58)

• All dimensions shown are for reference only and are subject to change.  
• Dimensions with DK-Lok nuts are in finger-tight position.

\* VH86 3-way ball valves are described by first the outlet ports (1) and (2) and next the bottom inlet port (3).

