

INT30 H[®] Wind direction

INT30 H[®]



INT30 H

Application

KRIWAN wind direction sensors of the Hydro series are employed everywhere where the requirement profile does not necessarily require the implementation of highest-quality sensors and where you can fall back on the reliable properties of the KRIWAN wind sensors at the same time.

Areas of application include wind measurement in:

- Meteorology
- Building technology
- Hydrology
- Photovoltaics
- Fire brigade equipment

Functional description

The KRIWAN-Wind direction sensor INT30 H records the current wind direction and converts it without contacting it into a linear output signal. The sensor is designed to withstand storms and weather.

The evaluation is then conducted separately using a measuring device, a display instrument, or the connected control and monitoring system.

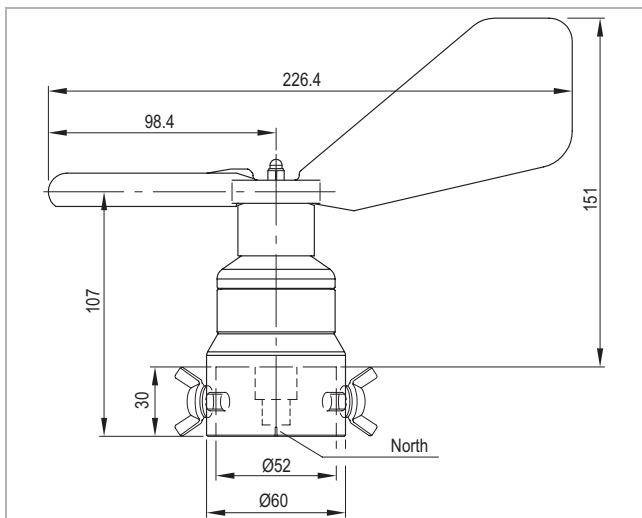
The following features characterise this KRIWAN-wind direction sensor:

- Sturdy and reliable design
- Low starting torque, high strength
- High accuracy
- Wear-free measurement
- Easy installation
- Further temperature range
- Integrated overvoltage protection
- UL_{US} - certified
- Maintenance-free

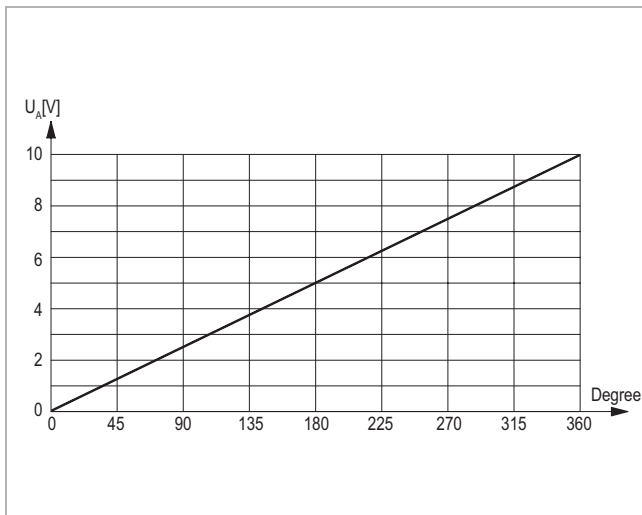


The unit must be connected by trained electrical personnel. All valid European and national standards for connecting electrical equipment must be observed. To avoid any consequential damage or operational failure, through direct or indirect excitation in the event of lightning strikes, we recommend that a separate lightning protection device be fitted by the customer.

See back side for further specifications



Dimensions in mm

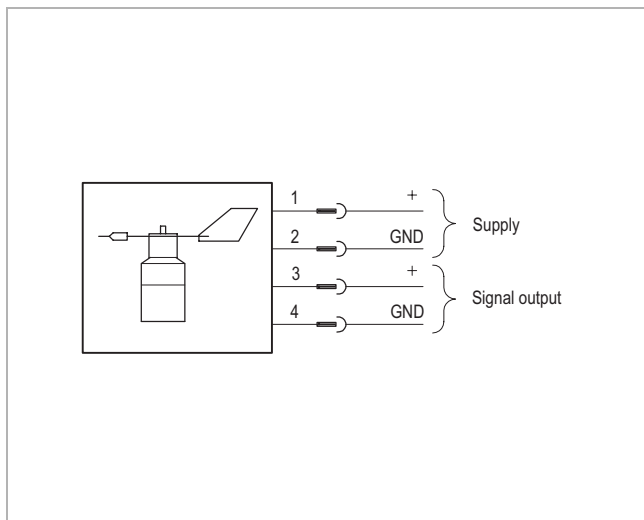


Characteristic line

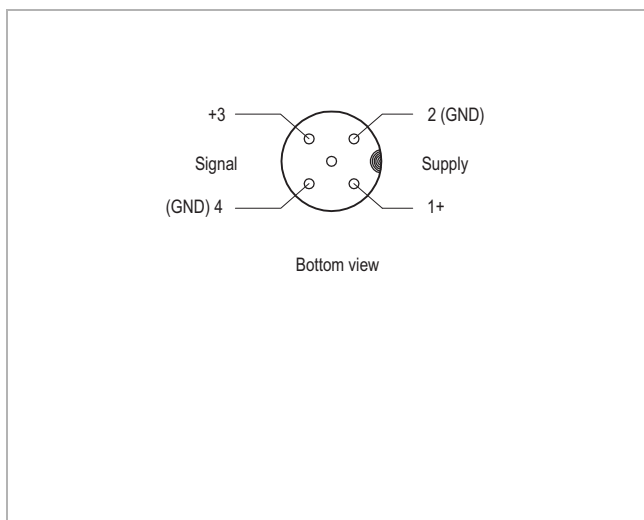
Technical changes reserved

INT30 H[®] Wind direction

INT30 H[®]



Wiring diagram



Pin assignment

Order data

INT30 H Wind direction	13 N 530
Accessories and application information	see www.kriwan.com

Spare parts

Spare parts package wind vane	02 Z 123 S22
VA-wing screws, M8x16mm	HS08016600
Self-locking cap nut M4	HM04009400
Serrated washer J4.3	HX04305600
Cable socket (M12) 5-pin	FA04106

Technical specifications

Measuring principle	Contact-free magnetic scanning system
Measuring range	0-360°
Accuracy	±2.5°
Resolution	<1°
Start-up speed	<0.5m/s (θ _v =20°C)
Supply	DC 24V ±25% Max. 10mA Reverse polarity protection
Signal output	DC 0-10V
Signal availability	Max. 2.5s (from voltage-free state)
Load resistor	≥10kΩ
Connection type	
- Sensor	5-pin plug (M12)
- Recommended connecting cable	4x0.75mm ²
Permissible ambient temperature T _A	-20...+70°C Snow and ice-free sensor is prerequisite.
Permissible relative humidity	0-100% RH
Stability	For wind speed of 60m/s (max. 30min)
Protection class according to EN 60529	IP54 if sensor is assembled in the specified manner
Mounting	Steel mast Max. Ø _{outer} 50mm Min. Ø _{inner} 37mm
Dimensions	See dimensions in mm
Housing	
- Material	Aluminium
- Corrosion resistance	Anodised
Wind vane	
- Material	Aluminium
- Corrosion resistance	Powder-coated
Weight	Approx. 450g
Check base	EN 61000-6-2, EN 61000-6-3, EN 61010-1
Approval	UL file no. E240032

Technical changes reserved