

INT10 H[®] Anemometer

INT10 H[®]



INT10 H

Application

KRIWAN Hydro series anemometers are used in any situation where the requirement profile does not necessitate deployment of highest-quality sensors, but where at the same time you need to fall back on the proven properties of KRIWAN wind sensor technology.

Areas of application include wind measurement in:

- Meteorology
- Building technology
- Hydrology
- Photovoltaics
- Fire brigade equipment

Functional description

The KRIWAN INT10 H anemometer measures the current wind speed and converts it into a linear output signal without contact. The sensor is storm-proof and weather-proof.

The evaluation is then conducted separately using a measuring device, a display instrument, or the connected control and monitoring system.

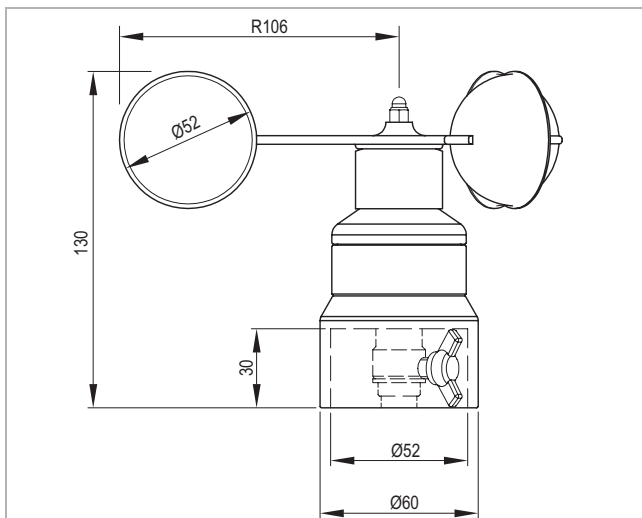
The following features characterise this KRIWAN anemometer:

- Sturdy and reliable design
- Low starting torque, high strength
- High accuracy
- Wear-free measurement
- Easy installation
- Further temperature range
- Integrated overvoltage protection
- cULUS - certified
- Maintenance-free

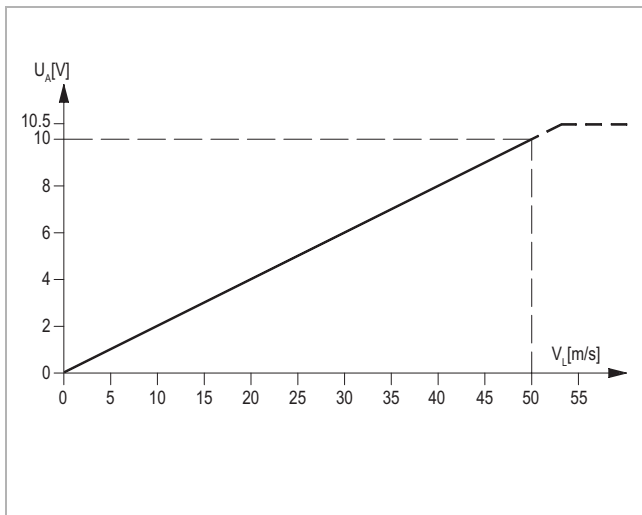


The unit must be connected by trained electrical personnel. All valid European and national standards for connecting electrical equipment must be observed. To avoid any consequential damage or operational failure, through direct or indirect excitation in the event of lightning strikes, we recommend that a separate lightning protection device be fitted by the customer.

See back side for further specifications



Dimensions in mm

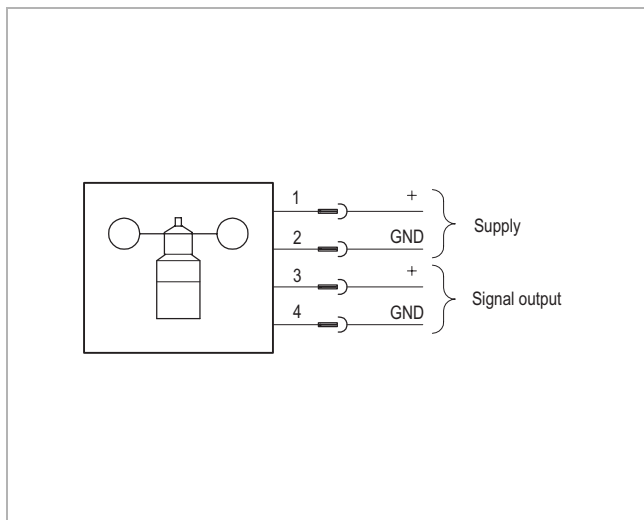


Characteristic line

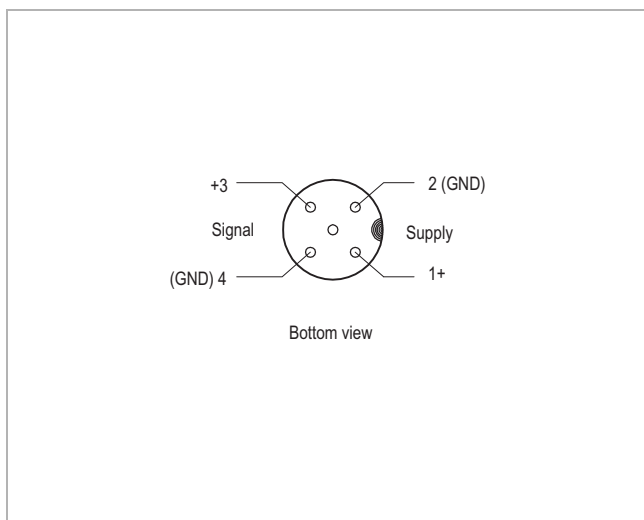
Technical changes reserved

INT10 H[®] Anemometer

INT10 H[®]



Wiring diagram



Pin assignment

Order data

| | |
|---|--|
| INT10 H Anemometer | 13 N 510 S21 |
| Accessories and application information | see www.kriwan.com |

Order data

| | |
|---|-------------------|
| Spare parts package cup anemometer (cup anemometer, cap nut, serrated washer) | 02 Z 160 |
| VA-wing screws, M8x16mm | HS08016600 |
| Self-locking cap nut M4 | HM04009400 |
| Serrated washer J4.3 | HX04305600 |
| Cable socket (M12) 5-pin | FA04106 |

Technical specifications

| | |
|--|--|
| Measuring principle | Contact-free magnetic scanning system |
| Measuring range | 0-50m/s |
| Accuracy | ±0.5m/s |
| Resolution | <0.1m/s |
| Start-up speed | <0.5m/s (θ _v =20°C) |
| Supply | DC 24V ±25% Max. 10mA Reverse polarity protection |
| Signal output | DC 0-10V Limited to 10.5V |
| Signal availability | Max. 2.5s (from voltage-free state) |
| Load resistor | ≥10kΩ |
| Connection type | |
| - Sensor | 5-pin plug (M12) |
| - Recommended connecting cable | 4x0.75mm ² |
| Permissible ambient temperature T _A | -20...+70°C Snow and ice-free sensor is prerequisite. |
| Permissible relative humidity | 0-100% RH |
| Stability | For wind speed of 60m/s (max. 30min) |
| Protection class according to EN 60529 | IP54 if sensor is assembled in the specified manner |
| Mounting | Steel mast Max. Ø _{outer} 50mm Min. Ø _{inner} 37mm |
| Dimensions | See dimensions in mm |
| Housing | |
| - Material | Aluminium |
| - Corrosion resistance | Anodised |
| Cup anemometer | |
| - Material | Aluminium |
| - Corrosion resistance | Powder-coated |
| Weight | Approx. 400g |
| Check base | EN 61000-6-2, EN 61000-6-3, EN 61010-1 |
| Approval | UL file no. E240032 |

Technical changes reserved