



Cert. No. LRQ 0963008

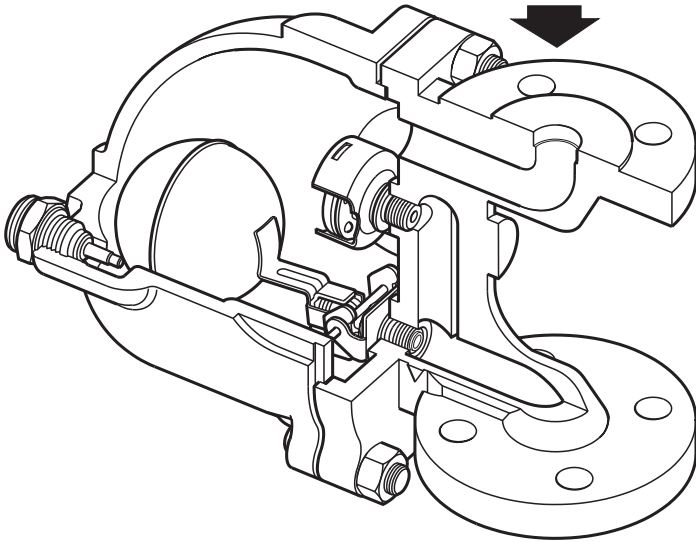
ISO 9001

spirax sarco

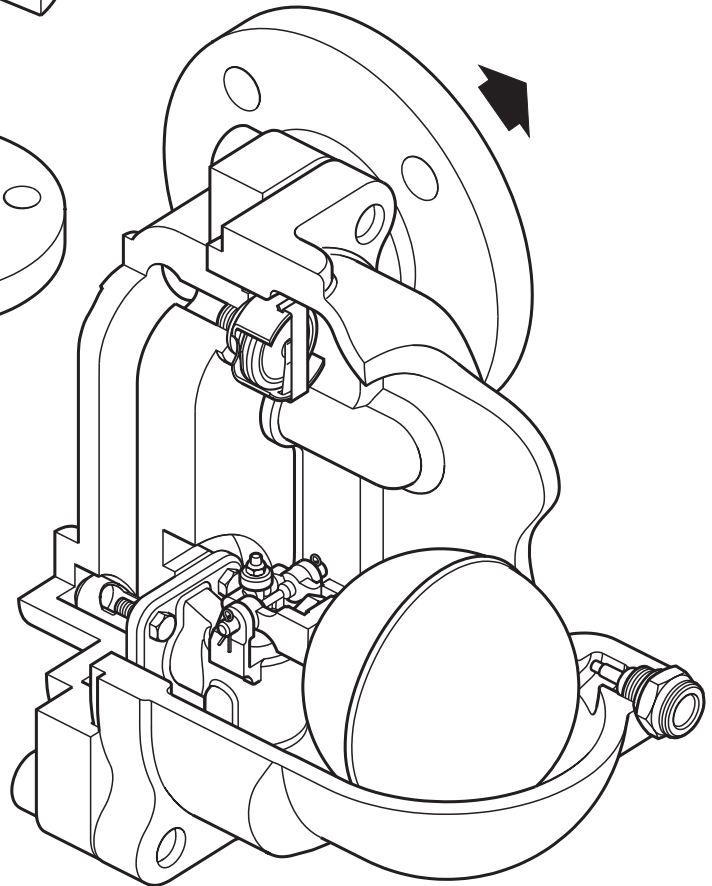
TI-P615-05
ST Issue 2

IFT54 Carbon Steel Ball Float Steam Trap with Integral Spiratec Sensor and Flanged Connections - (Spares)

DN15 IFT54V (vertical) shown



DN40 IFT54H (horizontal) shown



Safety information, installation and maintenance

For full details see the Installation and Maintenance Instructions (IM-P603-03) supplied with the product.

Installation note:

The trap is designed for installation with the float arm in a horizontal plane so that it rises and falls vertically, ideally with a drop leg immediately preceding the trap. Suitable isolation valves must be installed to allow for safe maintenance/replacement. Where steam traps are fitted in exposed conditions, the possibility of freezing damage may be reduced by thermal insulation/draining/isolation.

Caution: The cover gasket and main valve assembly gasket may contain a thin stainless steel support ring which may cause physical injury if it is not handled and disposed of carefully.

Maintenance note:

Maintenance can be completed with the trap in the pipeline, once the safety procedures have been observed. It is recommended that new gaskets and spares are used whenever maintenance is undertaken.

Disposal

No ecological hazard is anticipated with the disposal of these products provided due care is taken.

*Local regulations may restrict the use of this product to below the conditions quoted.
In the interests of development and improvement of the product, we reserve the right to change the specification.*

© Copyright 2005

Spare parts

The spare parts available are shown in heavy outline. Parts shown in broken line are not supplied as spares. For further technical information see TI-P615-06.

Available spares

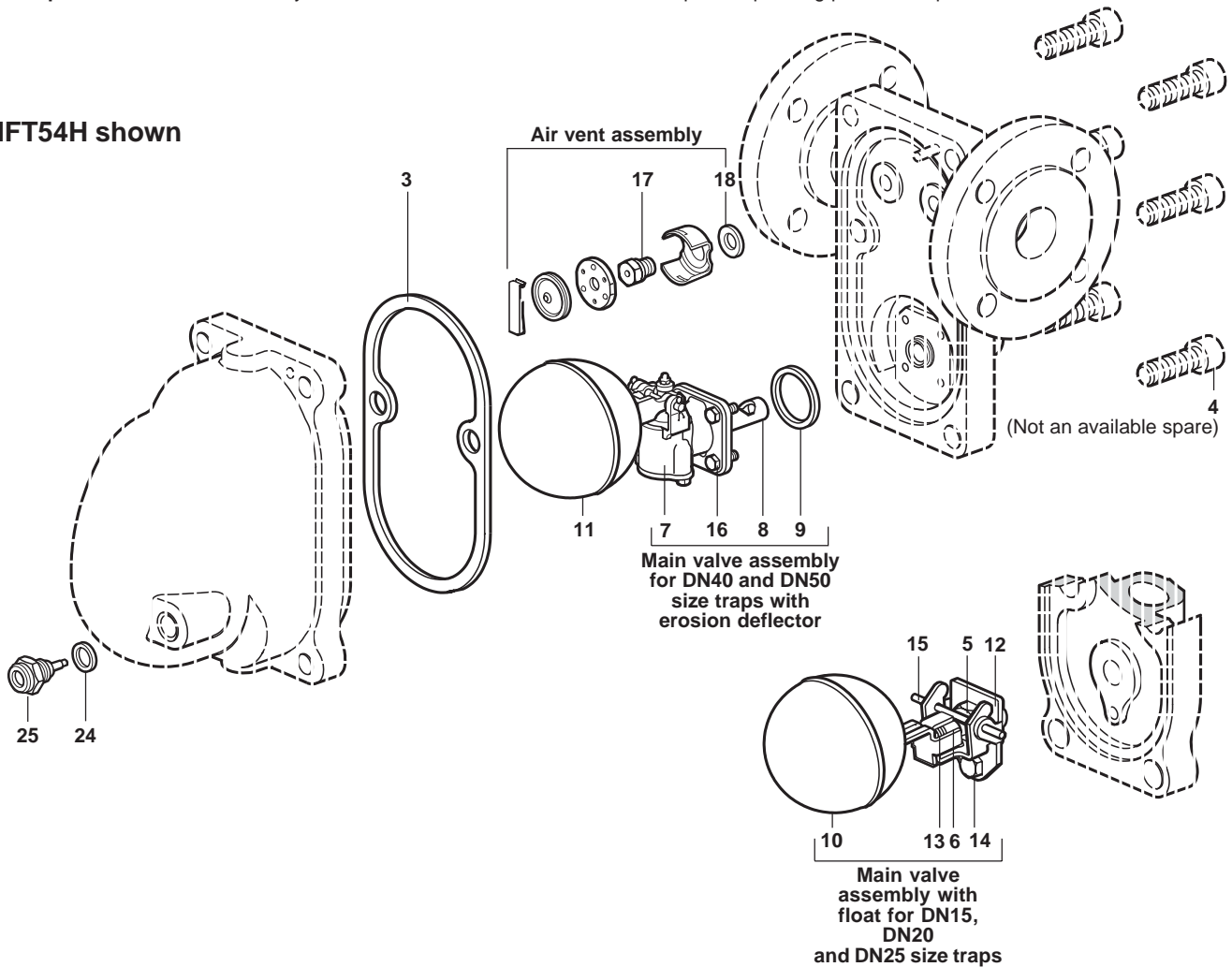
Main valve assembly with float	(DN15, DN20 and DN25)	5, 6, 10, 12, 13, 14, 15
Main valve assembly with erosion deflector	(DN40 and DN50)	7, 8, 9, 16
Ball float	(DN40 and DN50 only)	11
Air vent assembly		17, 18
Complete set of gaskets (packet of 3)		3, 9, 18, 20
Sensor and gasket		24, 25

How to order spares

Always order spare parts by using the description given in the column headed 'Available spares' and state the size, Model No., orientation i.e. horizontal (H) or vertical (V) and pressure rating of the trap.

Example: 1 - Main valve assembly for a DN40 IFT54H-4.5 ball float steam trap. For operating pressures up to 4.5 bar.

IFT54H shown



Recommended tightening torques

Item No.			or mm		N m	
4	DN15, DN20 and DN25	IFT54H	Bolt	10 (socket)	M12 x 35	70 - 75
		IFT54V	Stud		M12	35 - 40
	DN40 and DN50	IFT54H	Nut	19 A/F	M12	70 - 75
			Bolt	24 A/F	M16 x 55	150 - 165
		IFT54V	Stud		M16	70 - 80
			Nut	24 A/F	M16	150 - 165
5	Valve seat		17 A/F	M12	50 - 55	
14	Valve bolts		10 A/F	M6 x 10	10 - 12	
16	Erosion deflector bolts		10 A/F	M6 x 10	10 - 12	
17	Air vent seat		17 A/F		50 - 55	
25	Sensor		24 A/F		50 - 55	