



Cert. No. LRQ 0963008

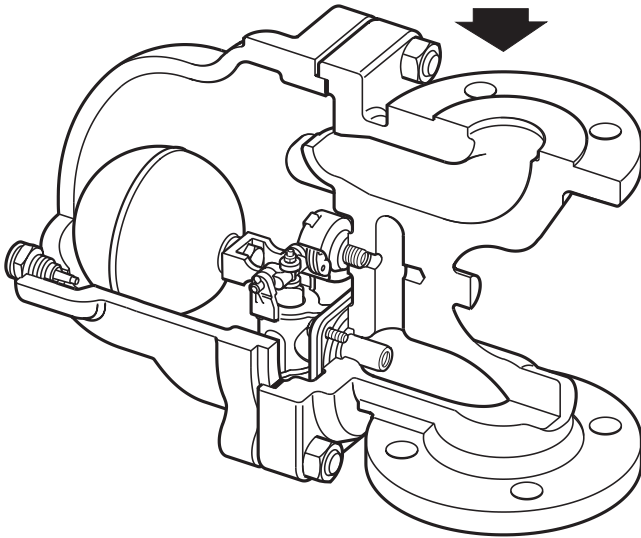
ISO 9001

# spirax sarco

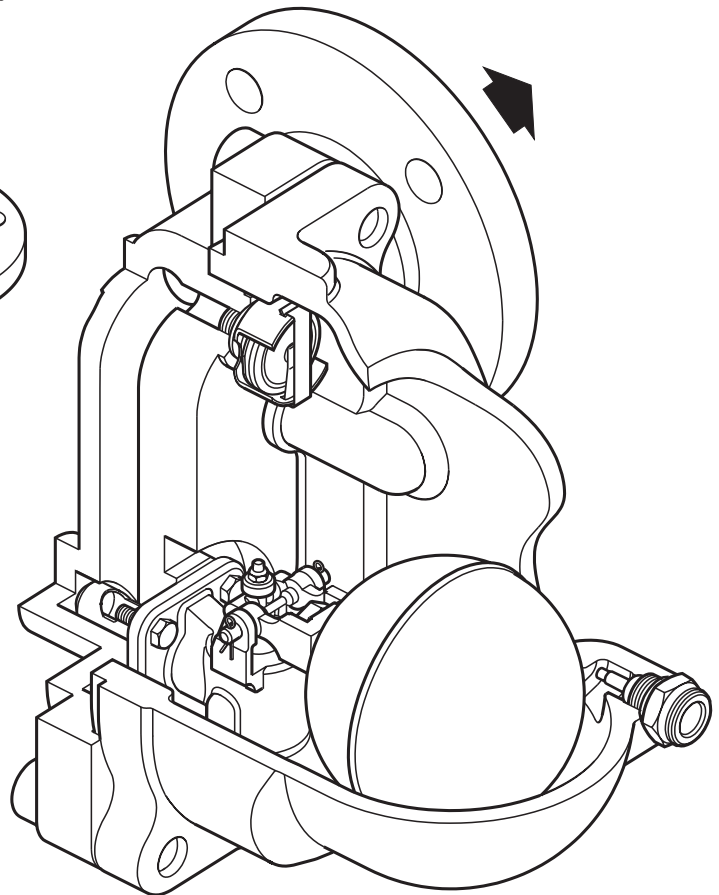
TI-P615-08  
ST Issue 2

## IFT53 Cast Iron Ball Float Steam Trap with Integral Spiratec Sensor and Flanged Connections - (Spares)

IFT53V (vertical) shown



IFT53H (horizontal) shown



### Safety information, installation and maintenance

For full details see the Installation and Maintenance Instructions (IM-P603-03) supplied with the product.

#### Installation note:

The trap is designed for installation with the float arm in a horizontal plane so that it rises and falls vertically, ideally with a drop leg immediately preceding the trap. Suitable isolation valves must be installed to allow for safe maintenance/replacement. Where steam traps are fitted in exposed conditions, the possibility of freezing damage may be reduced by thermal insulation/draining/isolation.

#### Maintenance note:

Maintenance can be completed with the trap in the pipeline, once the safety procedures have been observed. It is recommended that new gaskets and spares are used whenever maintenance is undertaken.

**Caution:** The cover gasket and main valve assembly gasket may contain a thin stainless steel support ring which may cause physical injury if it is not handled and disposed of carefully.

### Disposal

No ecological hazard is anticipated with the disposal of this product provided due care is taken.

## Spare parts

The spare parts available are shown in heavy outline. Parts shown in a broken line are not supplied as spares. For further technical information see TI-P615-07.

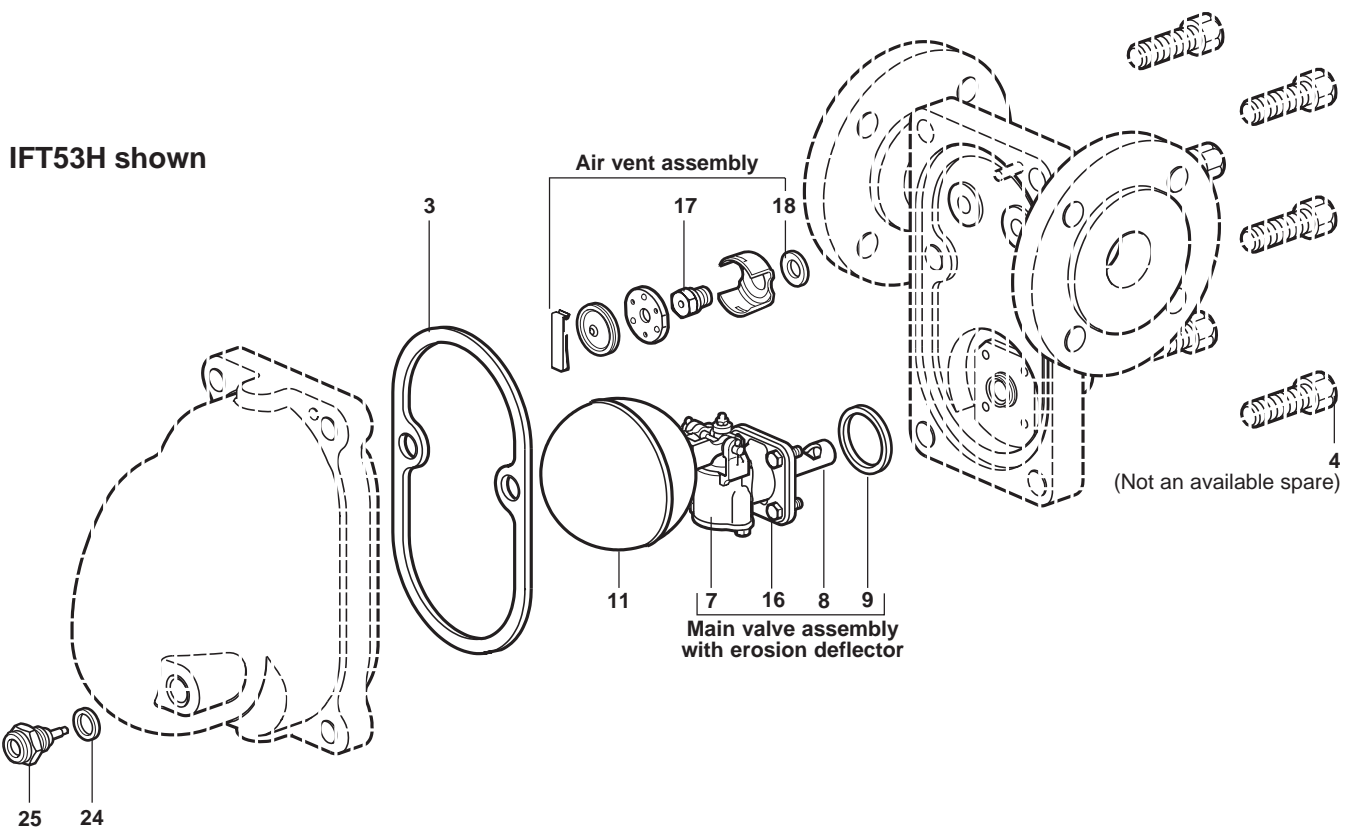
### Available spares

Main valve assembly with erosion deflector	7, 8, 9, 16
Ball float	11
Air vent assembly	17, 18
Complete set of gaskets (packet of 3)	3, 9, 18, 20
Sensor and gasket	24, 25


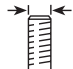
### How to order spares

Always order spare parts by using the description given in the column headed 'Available spares' and state the size, Model No., orientation i.e. horizontal (H) or vertical (V) and pressure rating of the trap.

**Example:** 1 - Main valve assembly for a DN40 IFT53H-4.5 ball float steam trap. For operating pressures up to 4.5 bar.



## Recommended tightening torques

Item No.			or mm		N m
4	IFT53H	Bolt	24 A/F	M16 x 55	150 - 165
	IFT53V	Stud		M16	70 - 80
		Nut	24 A/F	M16	150 - 165
16	Erosion deflector bolts		10 A/F	M6 x 10	10 - 12
17	Air vent seat		17 A/F		50 - 55
25	Sensor		24 A/F		50 - 55