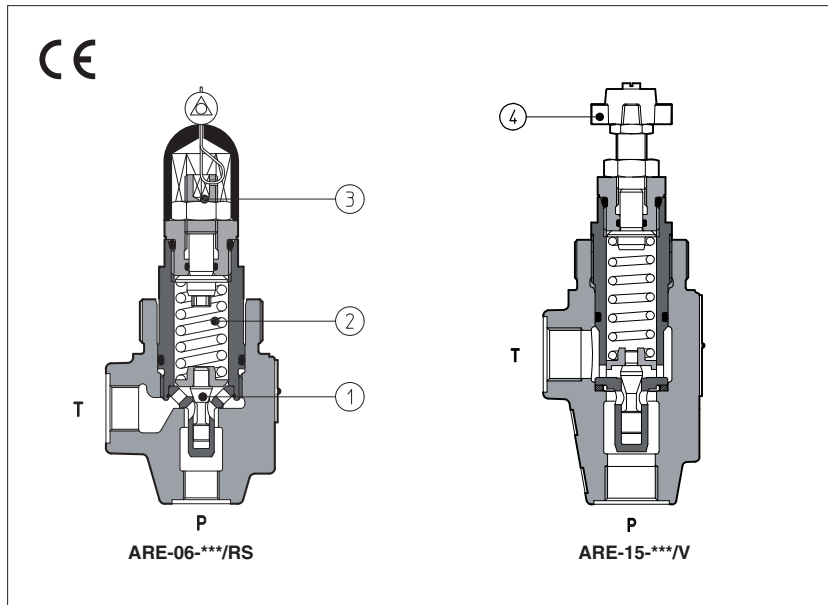


Pressure relief valves type ARE

direct operated, in line mounting



ARE are poppet type, directed operated pressure relief valves, with threaded ports for in line mounting.

The flow P→T is permitted when pressure force acting on the poppet ① overcomes the force of the spring ②.

Regulation is operated by means of a screw ③ or optionally by means of a handwheel ④ acting on the spring.

Clockwise rotation increases the pressure.

These valves are available in two sizes, with port P=G 1/4" or G 1/2".

Option **RS**, conforms to the Machine Directive (2006/42/CE), with factory preset and lead sealed regulation.

The factory pressure setting required by the customer corresponds to the valve's cracking pressure.

Max flow: **100 l/min:**

Max pressure: ARE-06 up to **500 bar**

ARE-15 up to **420 bar**

1 MODEL CODE

ARE	-	06	/	350	/	RS	/	*	/	**	/	*
<p>ARE = pressure relief valve with thread connections</p> <p>Available also in cartridge execution, see tab. C010</p> <p>Size: 06 = port P G 1/4" 15 = port P G 1/2"</p> <p>Max pressure: see section ③</p>										<p>Seals material, see section ④: - = NBR PE = FKM BT = HNBR</p> <p>Series number</p>		
										<p>Only for RS options: 280 = factory pressure setting to be defined depending to the customer requirement (example 280 = 280 bar)</p>		
						<p>Options (1):</p> <p>R = leak free execution RS = leak free execution plus lead sealed regulation conforming to 2006/42/CE</p> <p>Manual override only for standard and /R option:</p> <p>V = regulating handwheel VF = regulating knob VS = regulating knob with safety locking</p>						

For **PED** version see technical table CY020

(1) Possible combined options:

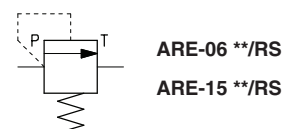
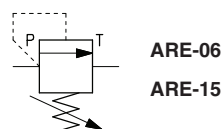
RV = leak free and regulating handwheel

RVF = leak free and regulating knob

RVS = leak free and regulating knob with safety locking

2 HYDRAULIC SYMBOLS

Hydraulic symbol



3 HYDRAULIC CHARACTERISTICS

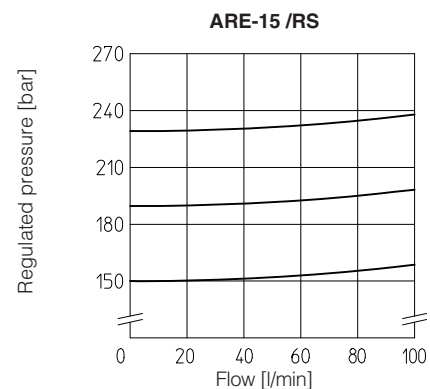
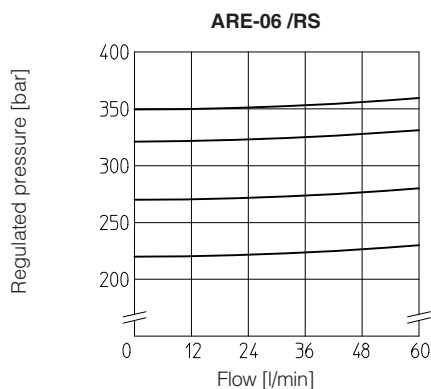
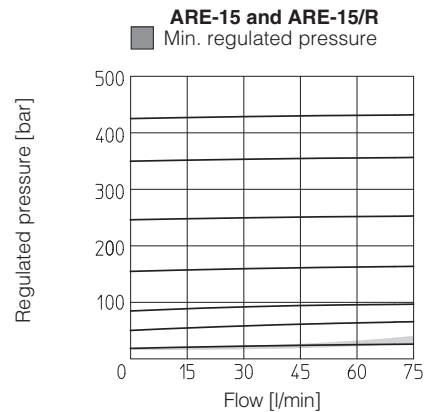
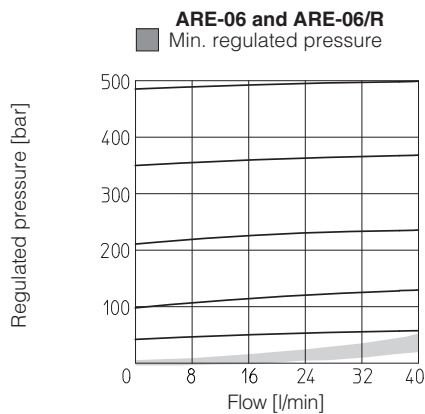
Valve model		ARE-06					ARE-15						
Max pressure setting [bar]	Standard	50	100	210	350	500	15	50	75	150	250	350	420
	/R	50	100	210	350	500	15	50	75	150	250	420	
	/RS	220		270	330	350	150			190	230		
Pressure range [bar]	Standard	2÷50	3÷100	10÷210	15÷350	30÷500	2÷15	3÷50	4÷75	8÷150	8÷250	30÷350	30÷420
	/R (1)	2÷50	3÷100	10÷210	15÷350	30÷500	2÷15	3÷50	4÷75	8÷150	8÷250	30÷420	
	/RS (1)	200÷250		250÷290	290÷350	310÷370	130÷170			170÷210	210÷250		
Max pressure port T [bar]		50					50						
Max flow [l/min]	Standard, /R	40					75						
	/RS	60					100						

(1) The values correspond to the min and max regulation of the valve's craking pressure

4 MAIN CHARACTERISTICS, SEALS AND FLUIDS - for other fluids not included in below table, consult our technical office

Assembly position	Any position		
Compliance	RoHS Directive 2011/65/EU as last update by 2015/863/EU REACH Regulation (EC) n°1907/2006		
Ambient temperature	Standard execution = -30°C ÷ +70°C /PE option = -20°C ÷ +70°C /BT option = -40°C ÷ +70°C		
Seals, recommended fluid temperature	NBR seals (standard) = -20°C ÷ +60°C, with HFC hydraulic fluids = -20°C ÷ +50°C FKM seals (/PE option) = -20°C ÷ +80°C HNBR seals (/BT option) = -40°C ÷ +60°C, with HFC hydraulic fluids = -40°C ÷ +50°C		
Recommended viscosity	15÷100 mm ² /s - max allowed range 2,8 ÷ 500 mm ² /s		
Fluid contamination class	ISO 4406 class 21/19/16 NAS 1638 class 10, in line filters of 25 µm (β ₂₅ ≥75 recommended)		
Hydraulic fluid	Suitable seals type	Classification	Ref. Standard
Mineral oils	NBR, FKM, HNBR	HL, HLP, HLPD, HVLP, HVLPD	DIN 51524
Flame resistant without water	FKM	HFDU, HFDR	ISO 12922
Flame resistant with water	NBR, HNBR	HFC	

5 REGULATED PRESSURE VERSUS FLOW DIAGRAMS (based on mineral oil ISO VG 46 at 50°C)



6 DIMENSIONS [mm]

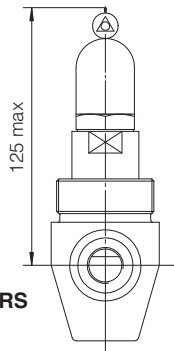
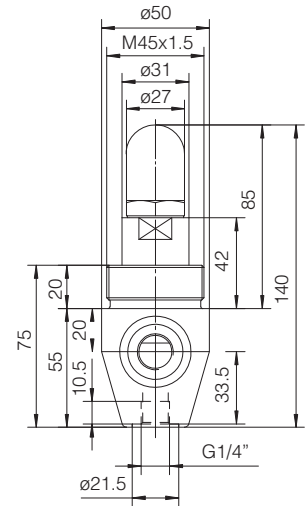
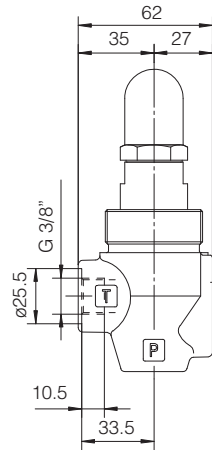
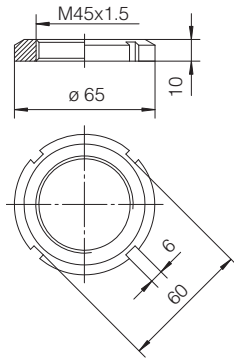
ARE-06

P = INLET PORT G 1/4"

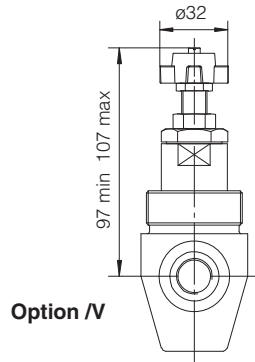
T = OUTLET PORT G 3/8"

Locking ring for fastening the valve.

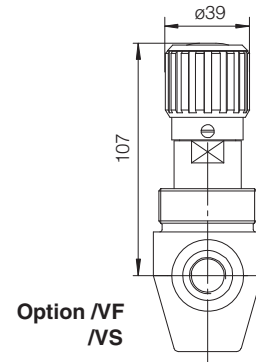
Model code: SP-6-RE-310030



Option /RS



Option /V



**Option /VF
/VS**

Mass: 1 Kg

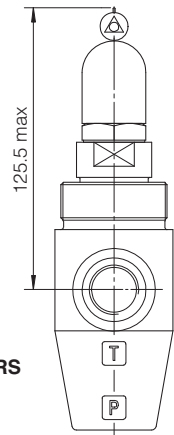
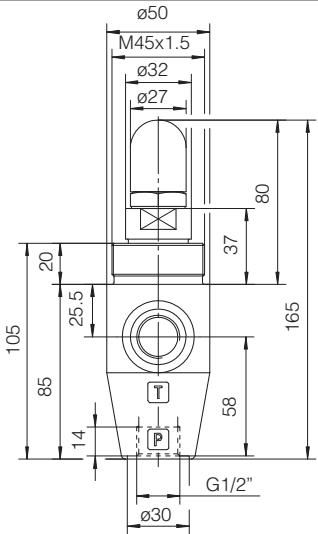
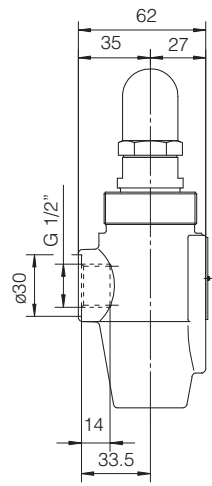
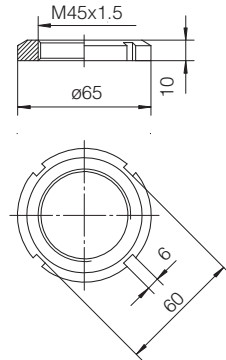
ARE-15

P = INLET PORT G 1/2"

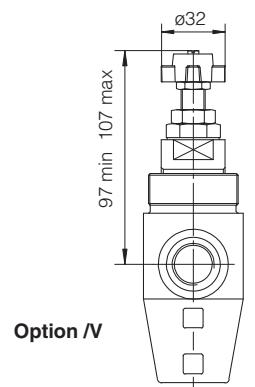
T = OUTLET PORT G 1/2"

Locking ring for fastening the valve.

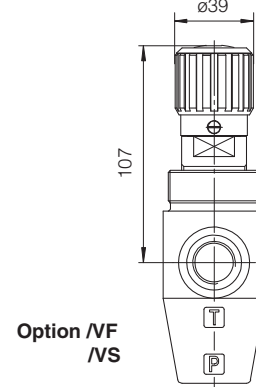
Model code: SP-6-RE-310030



Option /RS



Option /V



**Option /VF
/VS**

Mass: 1,3 Kg

Note:
For handwheel features, see technical table K150.