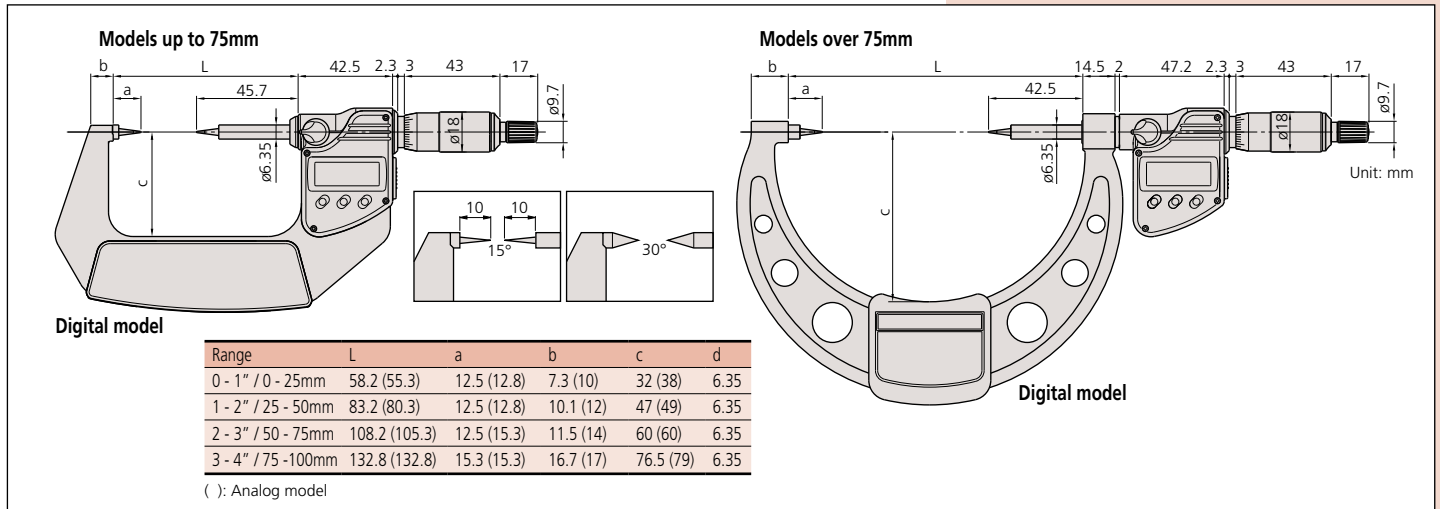


DIMENSIONS



Crimp Height Micrometers

SERIES 342, 142, 112 — Point Spindle and Blade Anvil

FEATURES

- IP54/65 water/dust protection (Series 342).
- Measures the height of crimp contacts.
- With ratchet stop for constant force.
- Non-slip grip finish (digital models)
- With SPC output (Series 342).
- With digit counter (Series 142).
- Supplied in fitted plastic case.



342-371-30

112-401



Quickmike type

342-451



SPECIFICATIONS

Metric Digital model				
Range	Resolution	Order No.	Accuracy	Mass (g)
0 - 20mm	0.001mm	342-271-30	±3µm	270

Metric Quickmike type				
Range	Resolution	Order No.	Accuracy	Mass (g)
0 - 15mm	0.001mm	342-451	±3µm	275

Metric Mechanical counter model				
Range	Graduation	Order No.	Accuracy	Mass (g)
0 - 25mm	0.01mm	142-402	±3µm	200
0 - 25mm	0.001mm	142-403*	±3µm	200

Inch/Metric Digital model				
Range	Resolution	Order No.	Accuracy	Mass (g)
0 - 0.8" / 0 - 20mm	.00005" / 0.001mm	342-371-30	±.00015"	270

Metric				
Range	Graduation	Order No.	Accuracy	Mass (g)
0 - 25mm	0.01mm	112-401	±3µm	165

* 0.001mm reading is obtained with vernier.



Technical Data

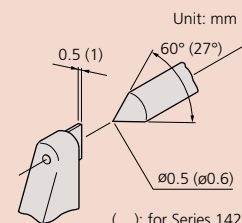
Accuracy: Refer to the list of specifications
 Resolution*: .00005" / 0.001mm or 0.001mm
 Graduation**: 0.01mm
 Display*: LCD
 Battery*: SR44 (1 pc.), **938882**
 Battery life*: Approx. 2.4 years under normal use
 (3 years: Quickmike type)
 Dust/Water protection level*: IP65 / IP54
 *Digital models **Analog models

Function of Digital Model

Origin-set, Zero / ABS (342-271 342-371), Data hold, Data output, inch/mm conversion (on inch/metric models only)
 Function lock
 Alarm: Low voltage, Counting value composition error

Optional Accessories for Digital Model

- 05CZA662**: SPC cable with data switch (40" / 1m)
- 05CZA663**: SPC cable with data switch (80" / 2m)
- 937387**: SPC cable for Quickmike type (40" / 1m)
- 965013**: SPC cable for Quickmike type (80" / 2m)



() : for Series 142