

SPECIFICATIONS

Metric With ratchet stop

Range	Resolution	Order No.	Accuracy
0 - 25mm	0.001mm	293-230-30 / 293-240-30*	±1µm
25 - 50mm	0.001mm	293-231-30 / 293-241-30*	±1µm
50 - 75mm	0.001mm	293-232-30 / 293-242-30*	±1µm
75 - 100mm	0.001mm	293-233-30 / 293-243-30*	±2µm
100 - 125mm	0.001mm	293-250-30	±2µm
125 - 150mm	0.001mm	293-251-30	±2µm
150 - 175mm	0.001mm	293-252-30	±3µm
175 - 200mm	0.001mm	293-253-30	±3µm
200 - 225mm	0.001mm	293-254-30	±3µm
225 - 250mm	0.001mm	293-255-30	±4µm
250 - 275mm	0.001mm	293-256-30	±4µm
275 - 300mm	0.001mm	293-257-30	±4µm

*without SPC data output

Metric With ratchet thimble

Range	Resolution	Order No.	Accuracy
0 - 25mm	0.001mm	293-234-30 / 293-244-30*	±1µm
25 - 50mm	0.001mm	293-235-30 / 293-245-30*	±1µm
50 - 75mm	0.001mm	293-236-30 / 293-246-30*	±1µm
75 - 100mm	0.001mm	293-237-30 / 293-247-30*	±2µm

*without SPC data output

Metric Micrometer Set

Range	Order No.	Included in set
0-50mm (2pcs. Set)	293-966-30	293-230-30, 293-231-30, 25mm CERA block, plastic case
0-75mm (3pcs. Set)	293-962-30	293-230-30, 293-231-30, 293-232-30, 2 standard bars, plastic case
0-100mm (4pcs. Set)	293-963-30	293-230-30, 293-231-30, 293-232-30, 293-233-30, 3 standard bars, wooden box

Inch/Metric With ratchet stop

Range	Resolution	Order No.	Accuracy
0 - 1" / 0 - 25.4mm	.00005"/0.001mm	293-330-30 / 293-340-30*	±.00005"
1" - 2" / 25.4 - 50.8mm	.00005"/0.001mm	293-331-30 / 293-341-30*	±.00005"
2" - 3" / 50.8 - 76.2mm	.00005"/0.001mm	293-332-30 / 293-342-30*	±.00005"
3" - 4" / 76.2 - 101.6mm	.00005"/0.001mm	293-333-30 / 293-343-30*	±.0001"
4" - 5" / 101.6 - 127.0mm	.0001"/0.001mm	293-350-30	±.0001"
5" - 6" / 127.0 - 152.4mm	.0001"/0.001mm	293-351-30	±.0001"
6" - 7" / 152.4 - 177.8mm	.0001"/0.001mm	293-352-30	±.00015"
7" - 8" / 177.8 - 203.2mm	.0001"/0.001mm	293-353-30	±.00015"
8" - 9" / 203.2 - 228.6mm	.0001"/0.001mm	293-354-30	±.00015"
9" - 10" / 228.6 - 254.0mm	.0001"/0.001mm	293-355-30	±.0002"
10" - 11" / 254.0 - 279.4mm	.0001"/0.001mm	293-356-30	±.0002"
11" - 12" / 279.4 - 304.8mm	.0001"/0.001mm	293-357-30	±.0002"

*without SPC data output

Inch/Metric With ratchet thimble

Range	Resolution	Order No.	Accuracy
0 - 1" / 0 - 25.4mm	.00005" / 0.001mm	293-334-30 / 293-344-30*	±.00005"
0 - 1" / 0 - 25.4mm	.0001" / 0.001mm	293-349-30*	±.0001"
1" - 2" / 25.4 - 50.8mm	.00005" / 0.001mm	293-345-30*	±.00005"
2" - 3" / 50.8 - 76.2mm	.00005" / 0.001mm	293-346-30*	±.00005"
3" - 4" / 76.2 - 101.6mm	.00005" / 0.001mm	293-347-30*	±.0001"

*without SPC data output

Inch/Metric With friction thimble

Range	Resolution	Order No.	Accuracy
0 - 1" / 0 - 25.4mm	.00005" / 0.001mm	293-335-30 / 293-348-30*	±.00005"
1" - 2" / 25.4 - 50.8mm	.00005" / 0.001mm	293-336-30	±.00005"

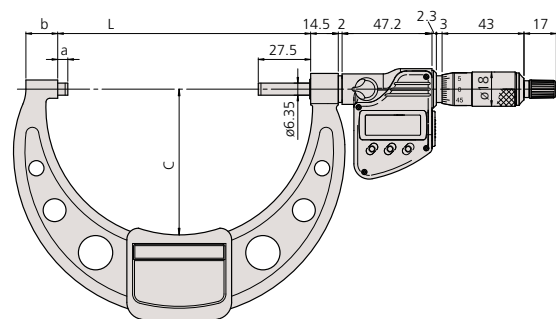
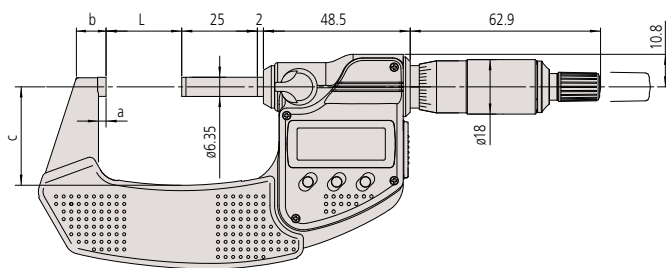
*without SPC data output

Inch/Metric Micrometer Set .00005" / 0.001mm graduation model

Range	Order No.	Included in set
0 - 3" / 0 - 76.2mm (3 pcs. set)	293-960-30	293-330-30, 293-331-30, 293-332-30, 2 standard bars, plastic case
0 - 4" / 0 - 101.6mm (4 pcs. set)	293-961-30	293-330-30, 293-331-30, 293-332-30, 293-333-30, 3 standard bars, wooden box

DIMENSIONS AND MASS

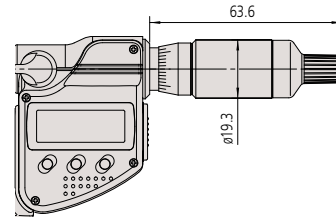
Ratchet-stop type (up to 100mm/4")



Ratchet stop type (over 100mm/4" to 300mm/12")

Ratchet-thimble type and friction-thimble type

Unit: mm



Range (Metric / Inch)	L	a	b	c	Mass (g)
0 - 25mm / 0-1"	0	2.5	9	(25)	270
25 - 50mm / 1-2"	25	2.5	9.8	(32.5)	330
50 - 75mm / 2-3"	50	2.5	12.6	(47)	470
75 - 100mm / 3-4"	75	2.5	14	(60)	625
100 - 125mm / 4-5"	132.8	5.3	16.7	(76.5)	600
125 - 150mm / 5-6"	158.2	5.7	18.8	(91)	740
150 - 175mm / 6-7"	183.6	6.1	19.1	(103.1)	800
175 - 200mm / 7-8"	208.8	6.3	18.2	(115.3)	970
200 - 225mm / 8-9"	234.2	6.7	16.8	(126.8)	1100
225 - 250mm / 9-10"	258	5.5	18	(139.8)	1270
250 - 275mm / 10-11"	284	18	28	(152.3)	1340
275 - 300mm / 11-12"	309	18	28	(166)	1540