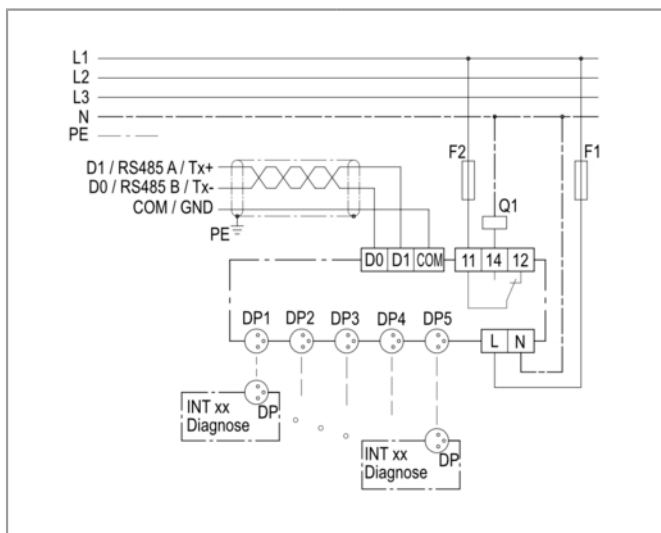


# INT<sup>®</sup>600 DM Gateway

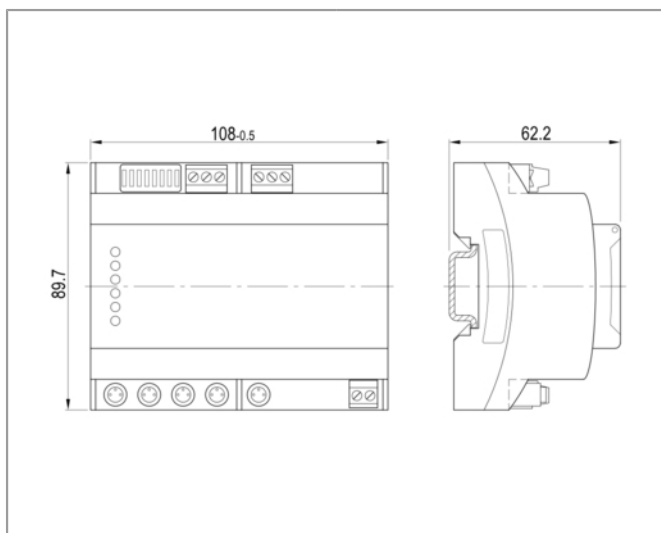


INT600 DM Gateway

Illustration similar. Scope of delivery may deviate.



Wiring diagram



Dimensions in mm

## Application

The KRIWAN diagnosis system allows data collected in KRIWAN diagnosis devices to be output via the DP interface. As a result, users can evaluate the functioning of the machine in the real application and react more quickly to breakdowns, as necessary.

The INT600 DM Gateway reads the DP interface and outputs this via an RS485 interface (Modbus protocol).

## Functional description

Diagnosis devices can be read via the 5 DP inputs and transferred via the Modbus protocol.

The built-in LEDs signal the current activities of the Gateway.

This Gateway is characterised by the following features:

- Direct connection of KRIWAN diagnosis devices via plug connection
- Very simple analysis of the individual interfaces by function LEDs, which flash when data is being transferred
- Very simple installation for the switch cabinet installation
- Broad range of possible uses through dual-voltage power unit
- Can also be used in switch cabinets that are installed outdoors, due to expanded temperature range
- Can be reset remotely
- Connection to KRIWAN INTeLLIGENCE server via Modbus LAN Gateway
- Air gap: no possibility of accessing KRIWAN diagnosis protection units from the internet
- Connection to customer-side controller (open Modbus protocol)
- Impact and shake resistant
- cUR<sub>US</sub> - certified

## Modbus

The Modbus interface supports the standard Modbus function code:

- 0x04 read input register
- 0x06 write single register
- 0x10 write multiple registers

## Setting options:

DIP-SWITCH		
1	2	Address
OFF	OFF	1
ON	OFF	17
OFF	ON	33
ON	ON	49
3	4	Baud rate
OFF	OFF	9.600
ON	OFF	19.200
OFF	ON	38.400
ON	ON	57.600
5	6	Stopbit/Parity
OFF	OFF	1 / even
ON	OFF	1 / odd
OFF	ON	2 / no
ON	ON	1 / no
Configuration control	7	ON / OFF
Line termination	8	ON / OFF

**Order data**

INT600 DM Gateway	22 S 371
Further product information	See <a href="http://www.kriwan.com">www.kriwan.com</a>

**Overview flash code**

<b>Modbus</b>	
– Green lit	Device switched on
– Green flashing	Initialisation phase
– Yellow flashing	Valid data transmissions for the set address are being received
– Red flashing	Error in data transmission
<b>DP</b>	
– Yellow flashing	Valid data transmissions are being received from the diagnosis device

**Safety instructions**

The mounting, maintenance and operation are to be carried out by an electrician. The valid European and national standards for connecting electrical equipment have to be observed.

Connected sensors and connection lines that extend from the switching cabinet have to feature at least a basic insulation.



Only KRIWAN diagnosis devices may be connected to the DP interface.

**Technical specifications**

Supply voltage	AC 50/60 Hz 115-240 V (UL 115-230 V) ±10 % 2 VA
Permissible ambient temperature $T_A$	-30...+70 °C
Activating remote reset	
– Impulse duration after activating	5s
– Frequency	Once per 30 min
– Number	Max. 3 activations within 1 day
Relay	
– Contact	AC 240 V 2.5 A C300 at least AC/DC 24 V 20 mA
– Mechanical service life	Approx. 1 million switching cycles
Modbus	
– Protocol	Modbus RTU (TwoWire / W2-Modbus)
– Start addresses	Adjustable 1*, 17, 33, 49
– Number of addresses occupied	16
– Suitable cable	Twisted pair e.g. cable LiYCY (TP) 2x2x0.25
– Safety	Electrically isolated
– Specification	Modbus application protocol specification of the Modbus IDA
– Interface	RS 485
– Baud rate	9600, 19200* , 38400 or 57600, adjustable
– Parity	Even, odd or no*, adjustable
– Stopbit	1 or 2*
	* = Factory setting
Protection class acc. to EN 60529	IP20
Connection type	
– Supply voltage	Screw terminals max. 2.5 mm <sup>2</sup>
– DP interfaces	Round 3-pin connector
– Modbus interfaces	Screw terminals max. 2.5 mm <sup>2</sup>
Housing material	PC
Mounting	Can be snapped onto 35mm standard rail as per EN 60715
Dimensions	See dimensions in mm
Weight	Approx. 200g
Check base	EN 61000-6-2, EN 61000-6-3, EN 61010-1
	Overvoltage category II
	Pollution level 2

**KRIWAN Industrie-Elektronik GmbH**

Allmand 11

74670 Forchtenberg phone: (+49) 7947 822 0 info@kriwan.com

Deutschland fax: (+49) 7947 1288 www.kriwan.com

