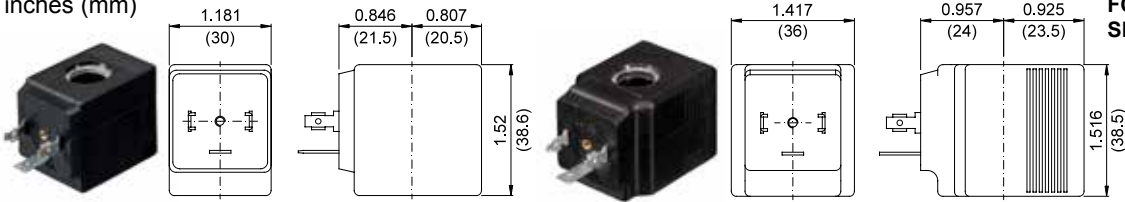


| COILS Code ② | Alternating Current | | | | | | Direct Current | | | | Electrical connection | Connectors | DESCRIPTION Insulation class F or H Voltage tolerance ±10% Protection class: IP65 with connector attached IP00 without connector Continuous service ED100% |
|------------------------|---------------------|-----|---------------|-----|---------------|-----|----------------|-----|---------------|-----|--------------------------|--------------------------|--|
| | 24V | | 120V | | 240V | | 12V | | 24V | | | | |
| Series 2 Width 30mm | U25B c us | 201 | U25D c us | 20D | U25F c us | 20F | U250 c us | 200 | U251 c us | 201 | DIN 43650A | PG9 code 10349000 | OPTIONS Cable attached Special coil voltage Special coil powers |
| Series 5 Width 36mm | U55B c us | 521 | U55D c us | 52D | U55F c us | 52F | U550 c us | 520 | U551 c us | 521 | DIN 43650A | PG11 code 10349001 | |

OVERALL DIMENSIONS

inches (mm)



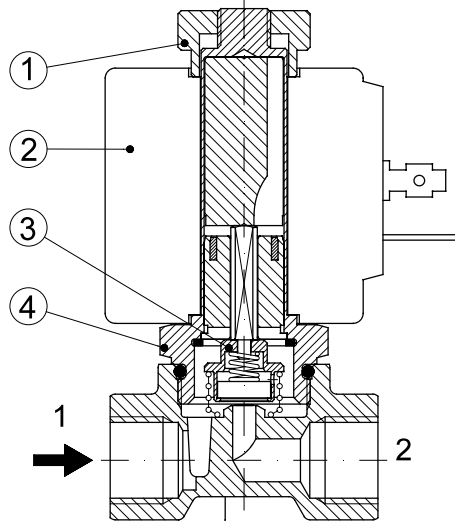
Series 2 Weight 0.26lb (0.12Kg)

Series 5 Weight 0.44lb (0.20Kg)

FOR COIL SPECIFICATION SEE SECTION 6

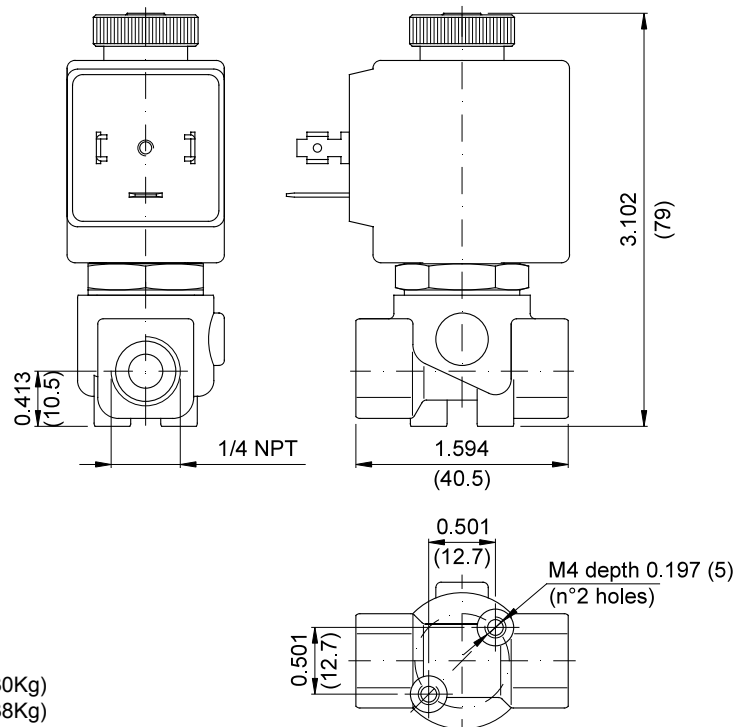
SPARE PARTS LIST

1. Coil fixing nut
2. Coil
3. Seal assembly
4. Armature tube assembly



OVERALL DIMENSIONS

inches (mm)



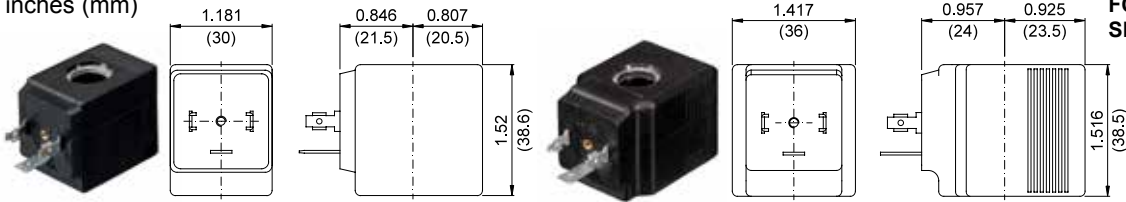
Weight with coil series 2=0.66lb (0.30Kg)

Weight with coil series 5=0.84lb (0.38Kg)

| COILS Code ② | Alternating Current | | | | | | Direct Current | | | | Electrical connection | Connectors | DESCRIPTION Insulation class F or H Voltage tolerance ±10% Protection class: IP65 with connector attached IP00 without connector Continuous service ED100% |
|------------------------|---------------------|-----|---------------|-----|---------------|-----|----------------|-----|---------------|-----|--------------------------|--------------------------|--|
| | 24V | | 120V | | 240V | | 12V | | 24V | | | | |
| Series 2 Width 30mm | U25B c us | 201 | U25D c us | 20D | U25F c us | 20F | U250 c us | 200 | U251 c us | 201 | DIN 43650A | PG9 code 10349000 | OPTIONS Cable attached Special coil voltage Special coil powers |
| Series 5 Width 36mm | U55B c us | 521 | U55D c us | 52D | U55F c us | 52F | U550 c us | 520 | U551 c us | 521 | DIN 43650A | PG11 code 10349001 | |

OVERALL DIMENSIONS

inches (mm)



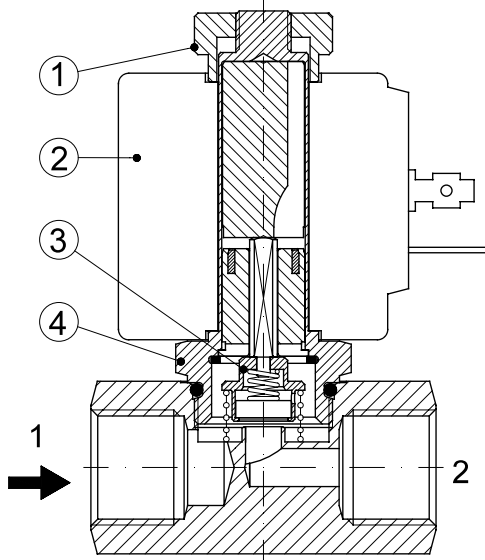
Series 2 Weight 0.26lb (0.12Kg)

Series 5 Weight 0.44lb (0.20Kg)

FOR COIL SPECIFICATION SEE SECTION 6

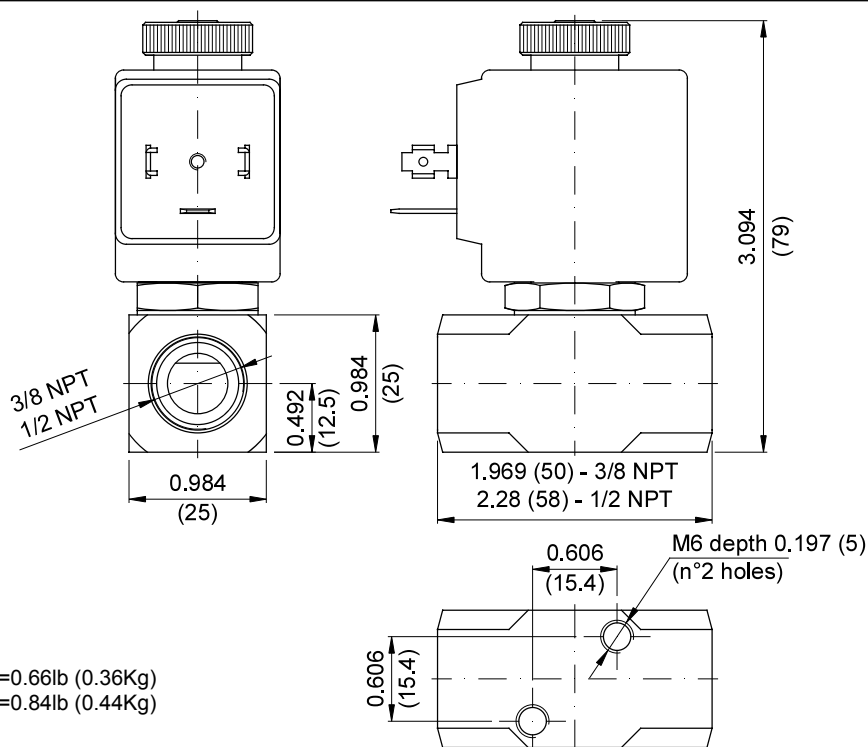
SPARE PARTS LIST

1. Coil fixing nut
2. Coil
3. Seal assembly
4. Armature tube assembly



OVERALL DIMENSIONS

inches (mm)



Weight with coil series 2=0.66lb (0.36Kg)
Weight with coil series 5=0.84lb (0.44Kg)